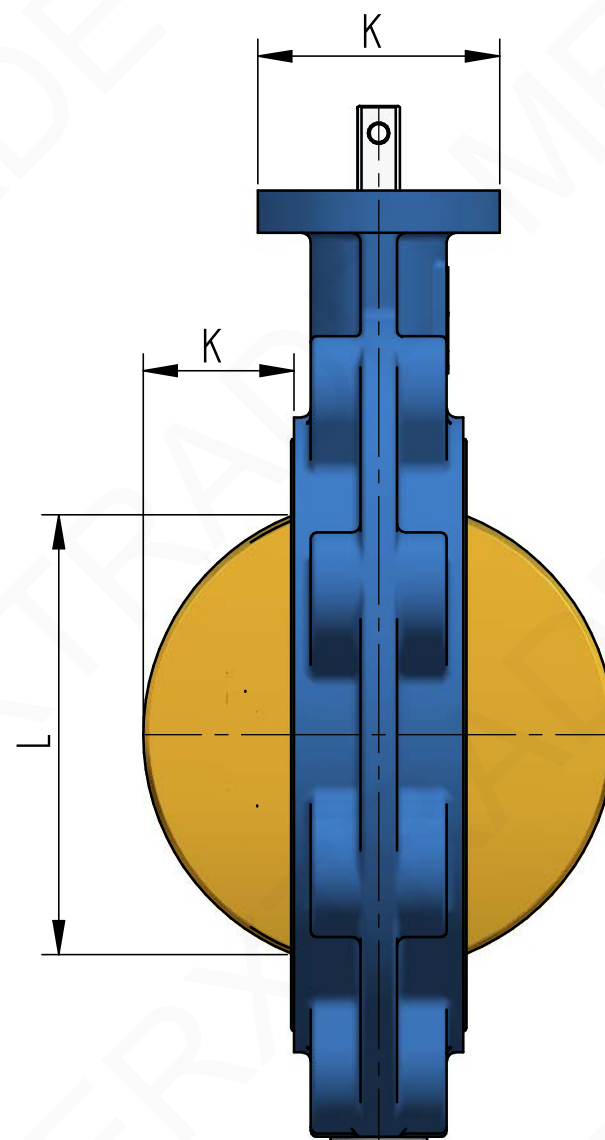
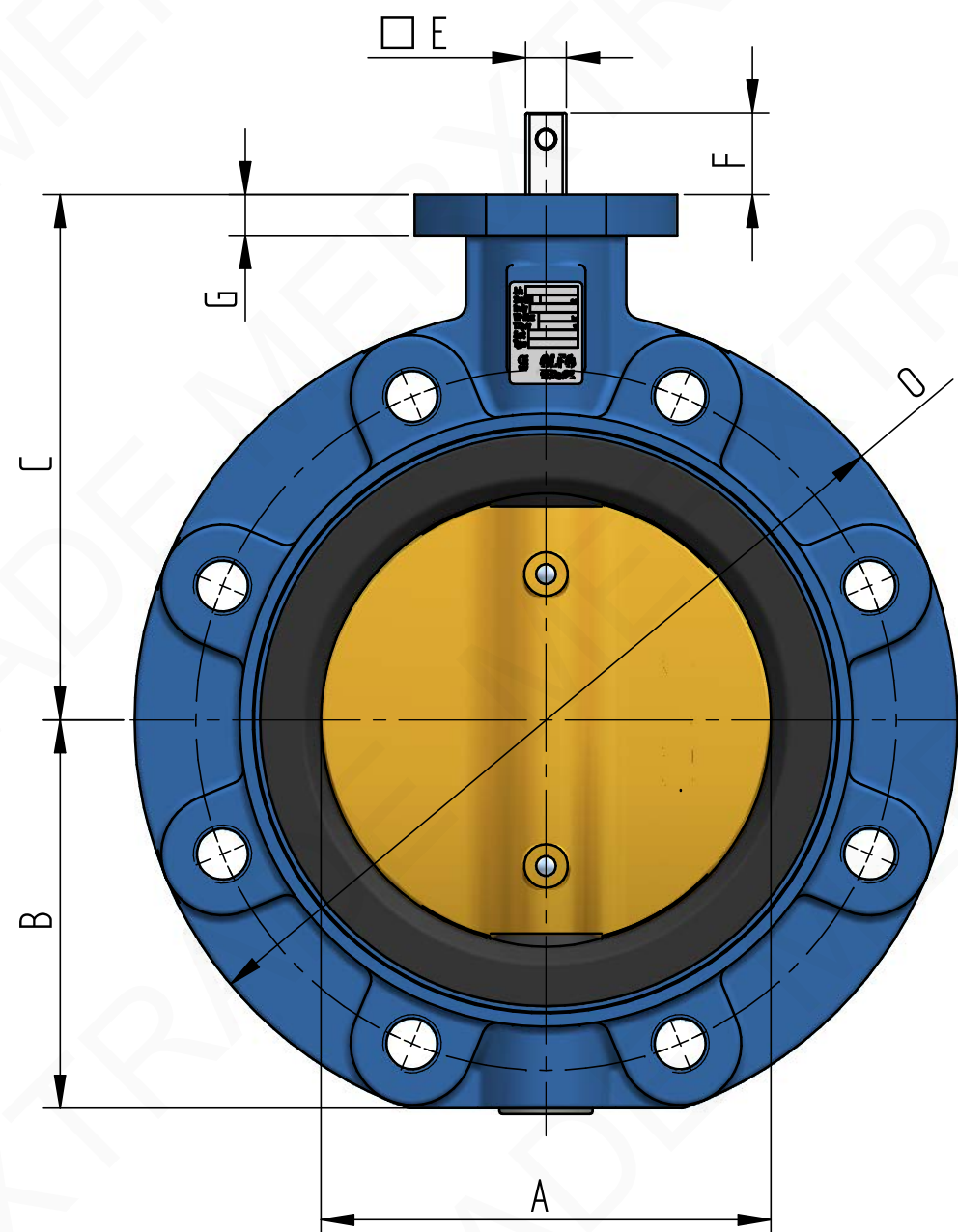


LUG TYPE BARE SHAFT

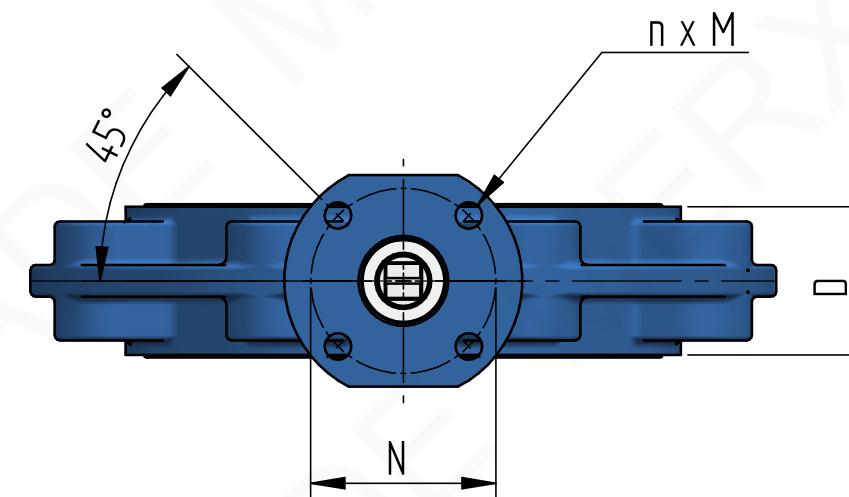


LUG TYPE BARE SHAFT DN40 - DN150



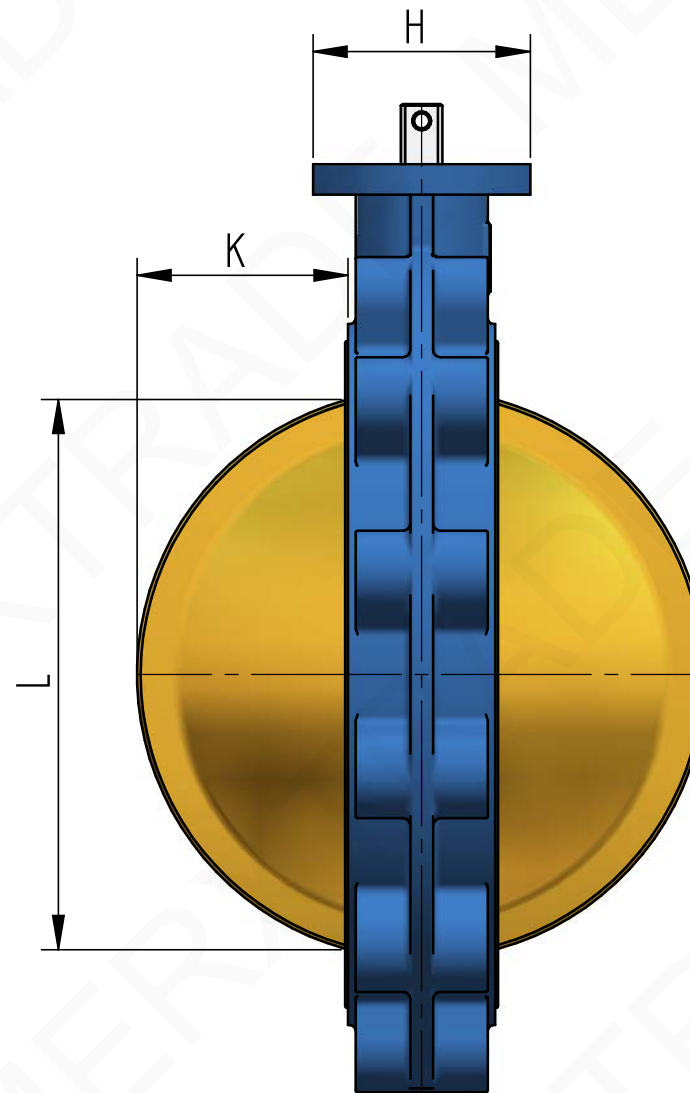
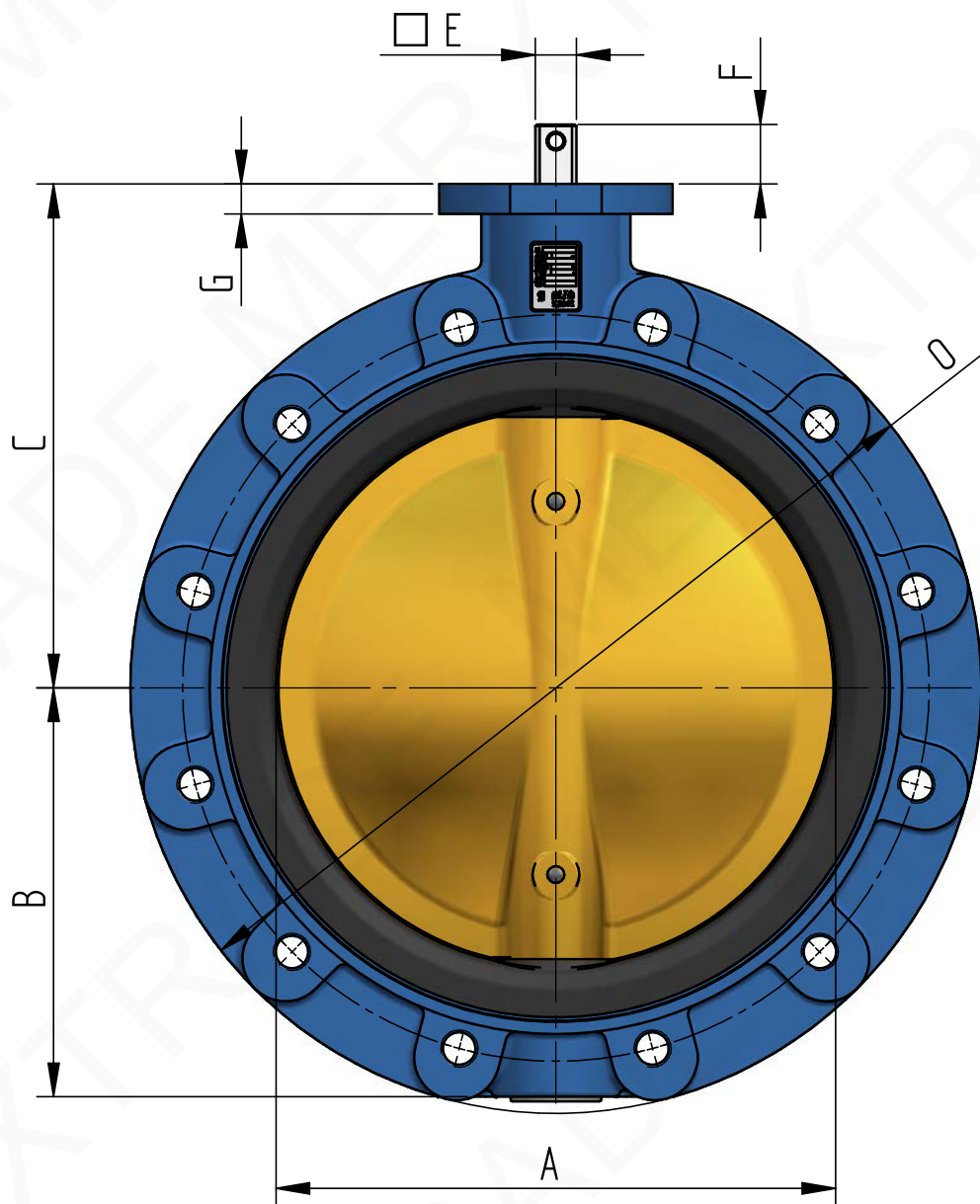
Size DN40 to DN150, Design EN593
Face to face acc. EN558.1 series 20
Flange connections: DIN PN6-10-16-25
ANSI B 16.5 Cl. 150#, JIS B 2211 5K, 10K
Temperature -40/+250°C
Various pressure ratings up to 25 bar
Top flange according ISO 5211
Vacuum to 1*10⁻³ 0.2 Torr absolute

Standard available materials :			
BODY	DISC	SHAFT	SEAT
EN-JS1030	BS 1400 AB2	SS 1.4122	NBR -15°C / +80°C
A216 WCB	EN-JS1030	SS 431	EPDM -30°C / +110°C
SS 1.4408	SS 1.4408	SS 1.4462	Viton -0°C / +200°C
BS 1400 AB2	SD 2507	SD F53	Silicone -20°C / +250°C



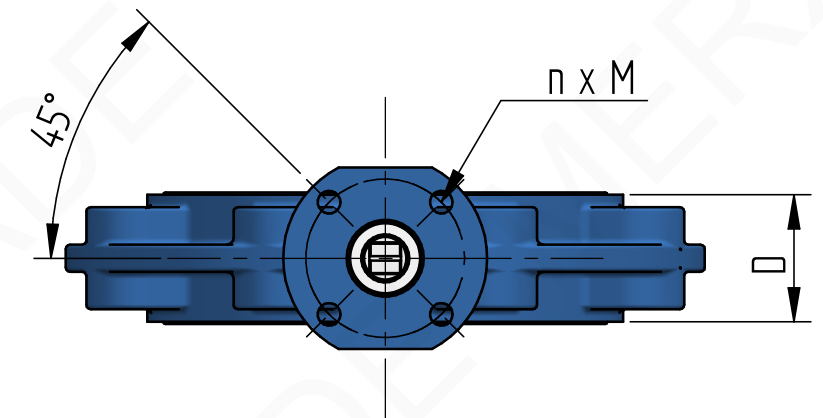
Size	A	B	C	D	E	F	G	Topflange			K	L	O	Weight ± Kg	
								ISO 5211	H	N					n x M
DN 40	41	58	113	33	[] 11	26	12	F07	ø90	ø70	4 x ø10	5	27	147	2.6
DN 50	52	65	118	43	[] 11	26	12	F07	ø90	ø70	4 x ø10	5	31	162	3.8
DN 65	63	73	126	46	[] 11	26	13	F07	ø90	ø70	4 x ø10	9	45	182	4.7
DN 80	78	95	133	46	[] 11	26	14	F07	ø90	ø70	4 x ø10	16	64	197	6.3
DN 100	103	102	147	52	[] 11	26	14	F07	ø90	ø70	4 x ø10	26	90	217	7.9
DN 125	125	116	160	56	[] 14	28	14	F07	ø90	ø70	4 x ø10	34	110	247	10.4
DN 150	155	133	180	56	[] 14	28	14	F07	ø90	ø70	4 x ø10	50	146	282	13.0

LUG TYPE BARE SHAFT DN200 - DN400



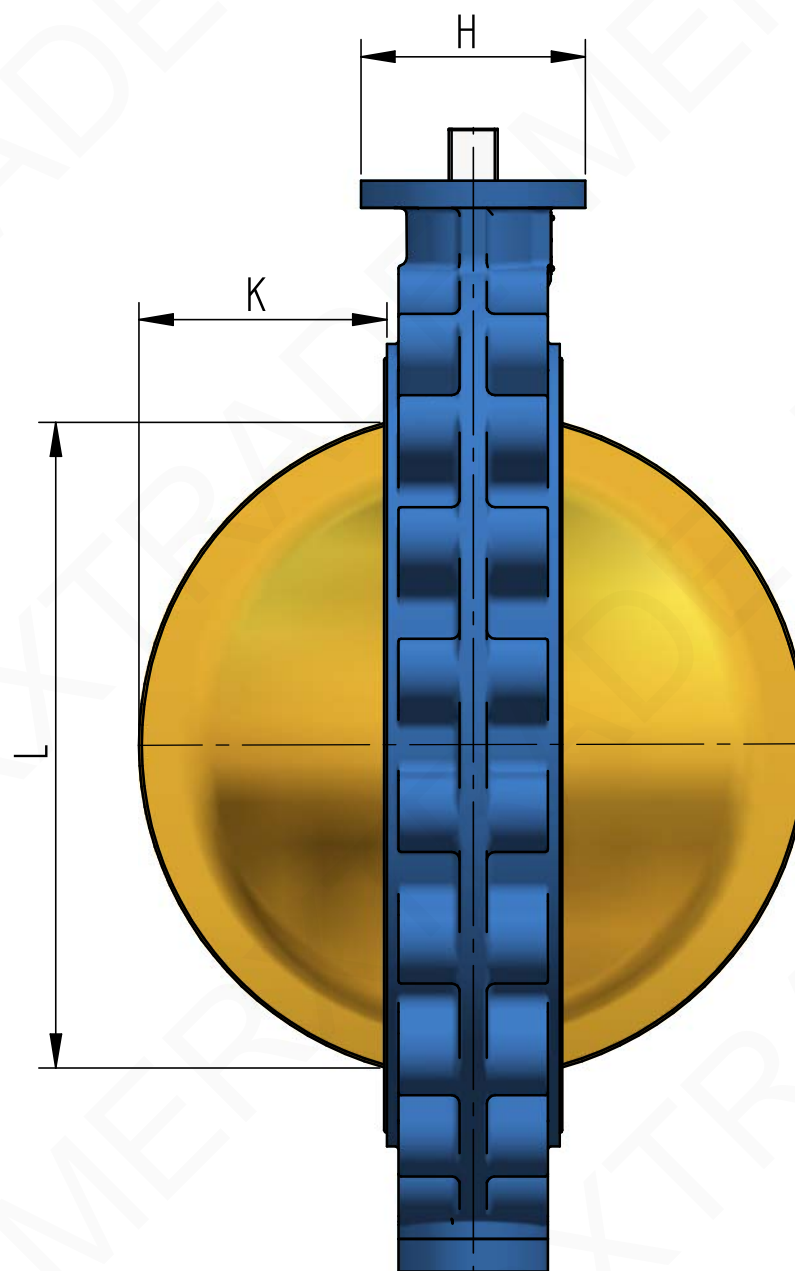
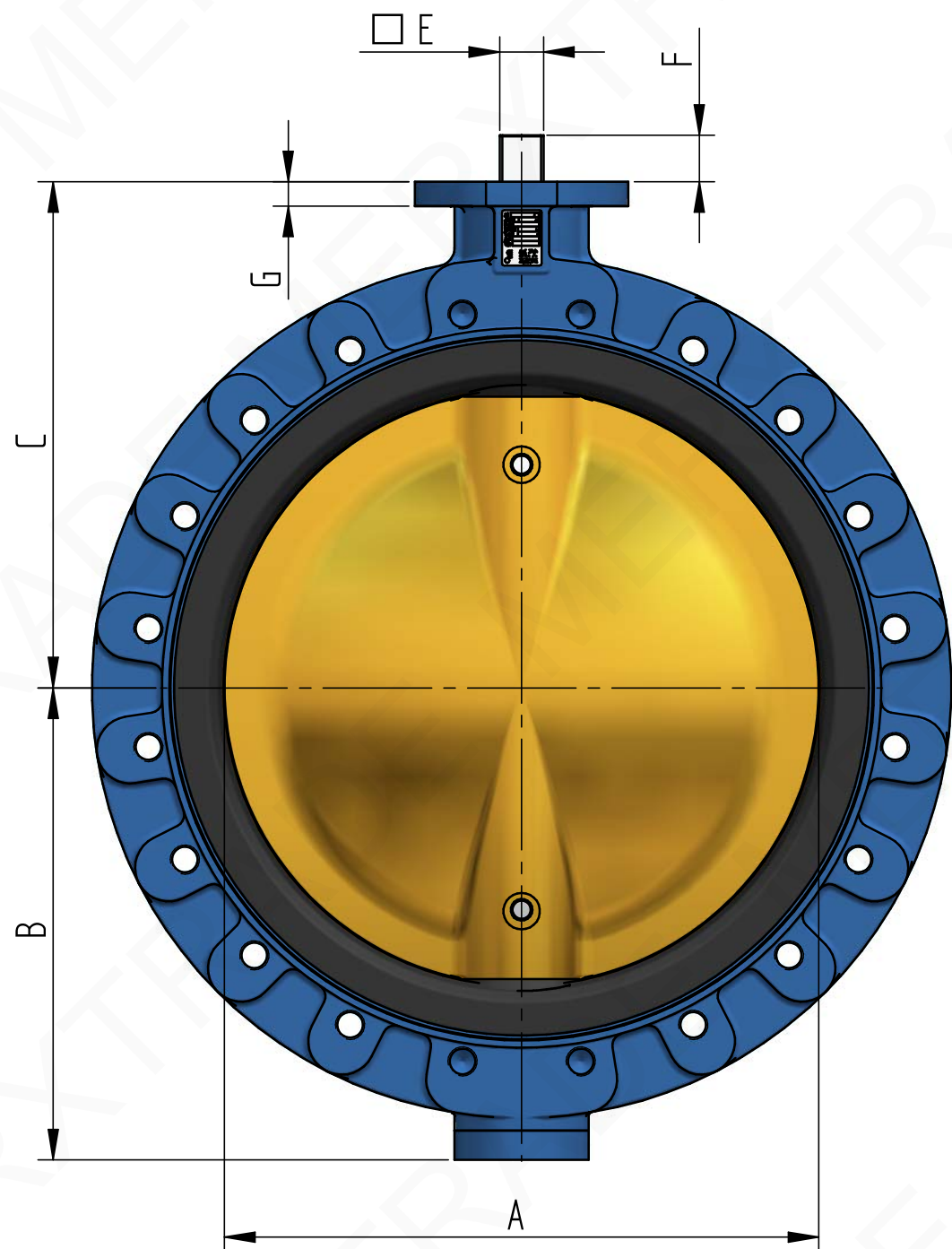
Size DN200 to DN400, Design EN593
 Face to face acc. EN558.1 series 20
 Flange connections: DIN PN6-10-16-25
 ANSI B 16.5 Cl. 150#, JIS B 2211 5K, 10K
 Temperature -40/+250°C
 Various pressure ratings up to 25 bar
 Top flange according ISO 5211
 Vacuum to 1*10⁻³ 0.2 Torr absolute

Standard available materials :			
BODY	DISC	SHAFT	SEAT
EN-JS1030	BS 1400 AB2	SS 1.4122	NBR -15°C / +80°C
A216 WCB	EN-JS1030	SS 431	EPDM -30°C / +110°C
SS 1.4408	SS 1.4408	SS 1.4462	Viton -0°C / +200°C
BS 1400 AB2	SD 2507	SD F53	Silicone -20°C / +250°C



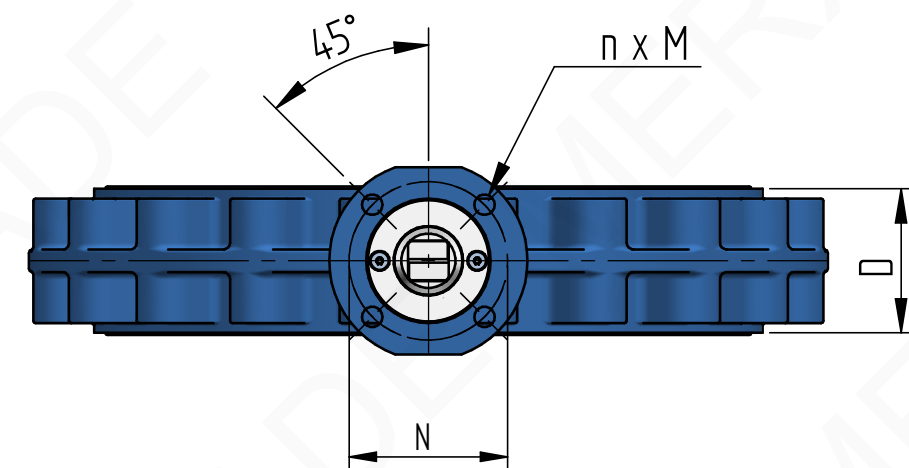
Size	A	B	C	D	E	F	G	Topflange				K	L	O	Weight ± Kg
								ISO 5211	H	N	n x M				
DN 200	201	160	204	60	[] 17	30	14	F07	∅90	∅70	4 x ∅10	71	194	337	18.2
DN 250	249	194	245	68	[] 22	30	15	F10	∅125	∅102	4 x ∅12	91	241	401	30.7
DN 300	302	221	270	78	[] 22	32	16	F10	∅125	∅102	4 x ∅12	112	291	456	43.9
DN 350	340	295	315	78	[] 27	29	20	F12	∅175	∅125	4 x ∅14	128	325	520	70.4
DN 400	397	319	350	102	[] 27	29	20	F12	∅175	∅125	4 x ∅14	144	377	575	97.4

LUG TYPE BARE SHAFT DN450 - DN600



Size DN4500 to DN600, Design EN593
 Face to face acc. EN558.1 series 20
 Flange connections: DIN PN6-10-16-25
 ANSI B 16.5 Cl. 150#, JIS B 2211 5K, 10K
 Temperature -40/+250°C
 Various pressure ratings up to 25 bar
 Top flange according ISO 5211
 Vacuum to 1*10⁻³ 0.2 Torr absolute

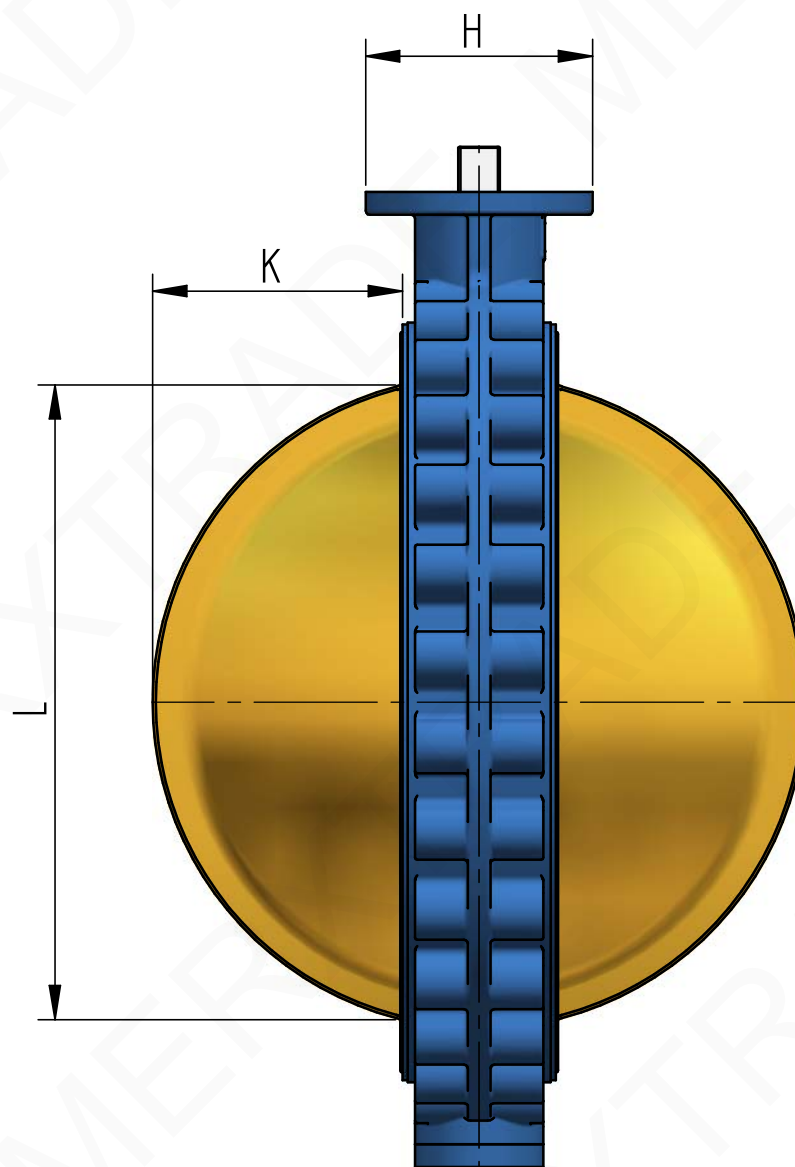
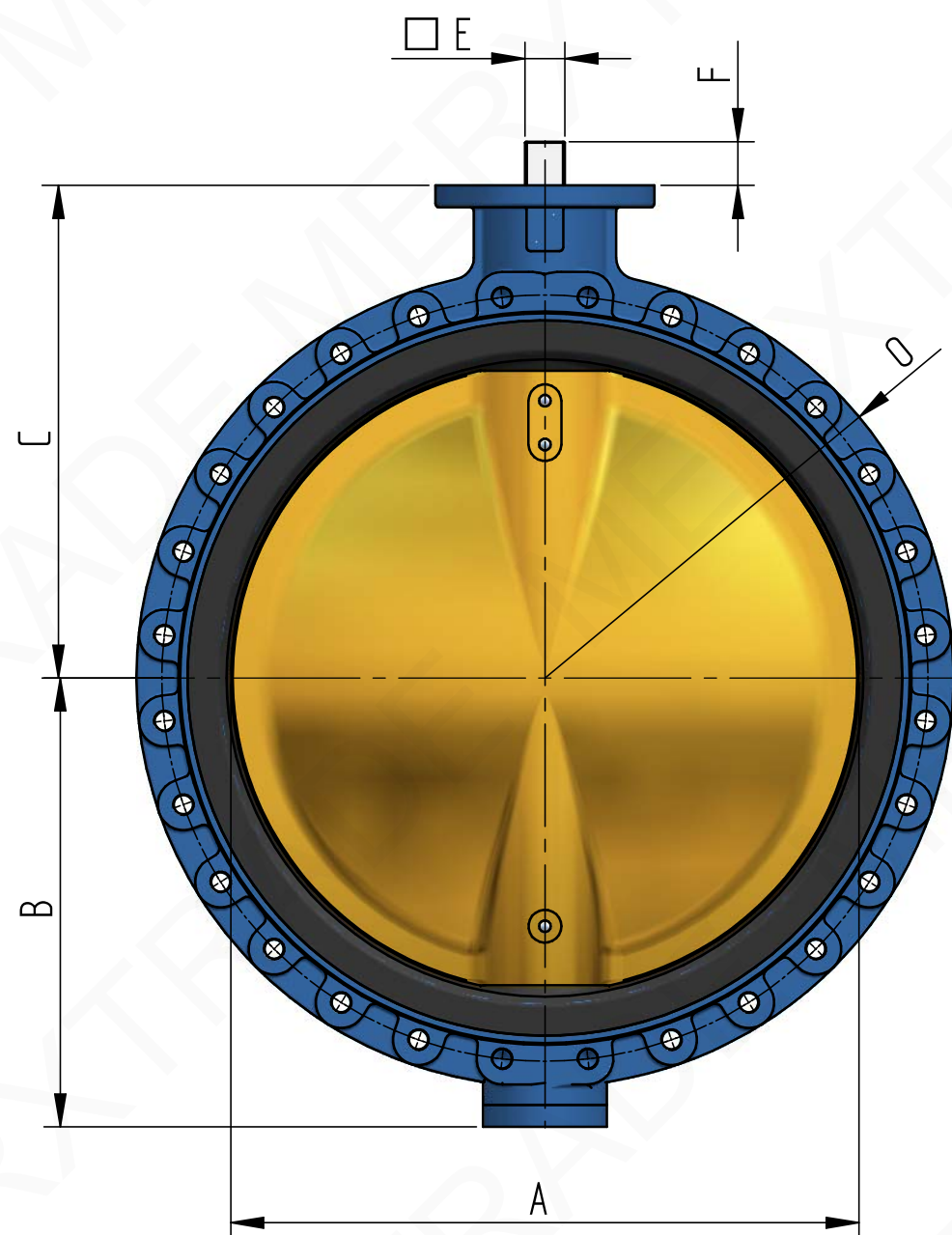
Standard available materials :			
BODY	DISC	SHAFT	SEAT
EN-JS1030	BS 1400 AB2	SS 1.4122	NBR -15°C / +80°C
A216 WCB	EN-JS1030	SS 431	EPDM -30°C / +110°C
SS 1.4408	SS 1.4408	SS 1.4462	Viton -0°C / +200°C
BS 1400 AB2	SD 2507	SD F53	Silicone -20°C / +250°C



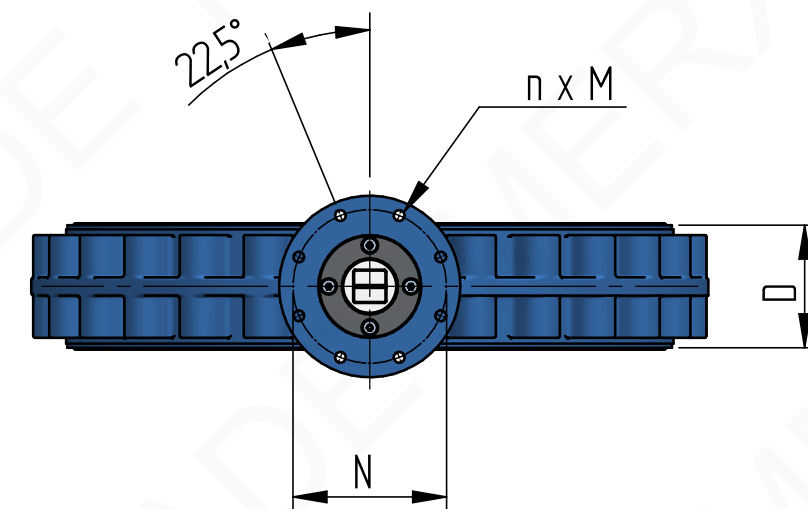
Size	A	B	C	D	E	F	G	Topflange				K	L	O	Weight ± Kg
								ISO 5211	H	N	n x M				
DN 450	438	353	375	114	[] 36	38	20	F14	∅175	∅140	4 x ∅18	163	426	635	132
DN 500	489	387	415	127	[] 36	38	20	F14	∅175	∅140	4 x ∅18	182	475	705	170
DN 600	590	453	562	154	[] 46	48	25	F16	∅210	∅165	4 x ∅22	219	572	835	256

LUG TYPE S64 - BARE SHAFT DN700 - DN1200

Size DN700 to DN1200, Design EN593
Face to face acc. EN558.1 series 20
Flange connections: DIN PN6-10-16-25
ANSI B 16.5 Cl. 150#, JIS B 2211 5K, 10K
Temperature -40/+250°C
Various pressure ratings up to 16 bar
Top flange according ISO 5211
Vacuum to 1*10⁻³ 0.2 Torr absolute



Standard available materials :			
BODY	DISC	SHAFT	SEAT
EN-JS1030	BS 1400 AB2	SS 1.4122	NBR -15°C / +80°C
A216 WCB	EN-JS1030	SS 431	EPDM -30°C / +110°C
SS 1.4408	SS 1.4408	SS 1.4462	Viton -0°C / +200°C
BS 1400 AB2	SD 2507	SD F53	Silicone -20°C / +250°C



Size	A	B	C	D	E	F	G	Topflange				K	L	O	Weight ± Kg
								ISO 5211	H	N	n x M				
DN 700	692	491	560	165	[] 46	55	25	F16	∅175	∅140	4 x ∅18	265	676	905	330
DN 800	792	550	620	190	[] 55	55	30	F25	∅300	∅254	8 x ∅18	302	772	1012	450
DN 900	861	615	675	203	[] 55	60	30	F25	∅300	∅254	8 x ∅18	330	840	1120	630
DN 1000	961	670	735	216	[] 55	60	30	F25	∅300	∅254	8 x ∅18	374	940	1250	830
DN 1200	1156	775	917	254	[] 60	60	35	F30	∅350	∅298	8 x ∅22	458	1142	1480	1420